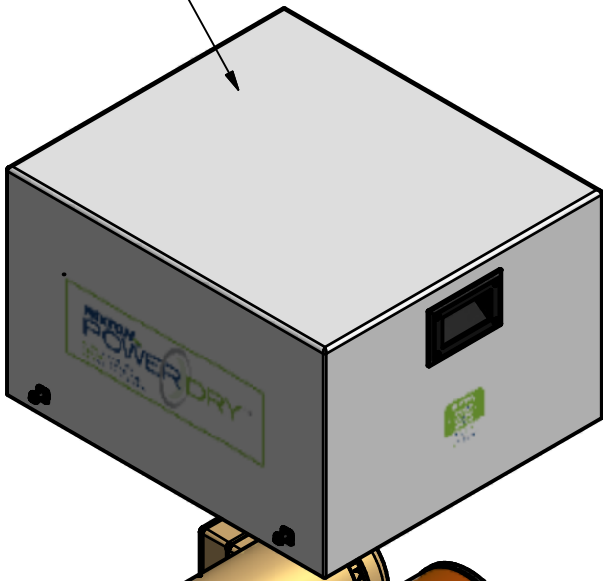
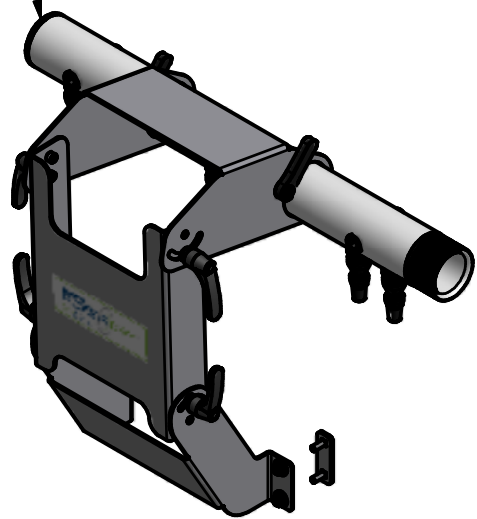


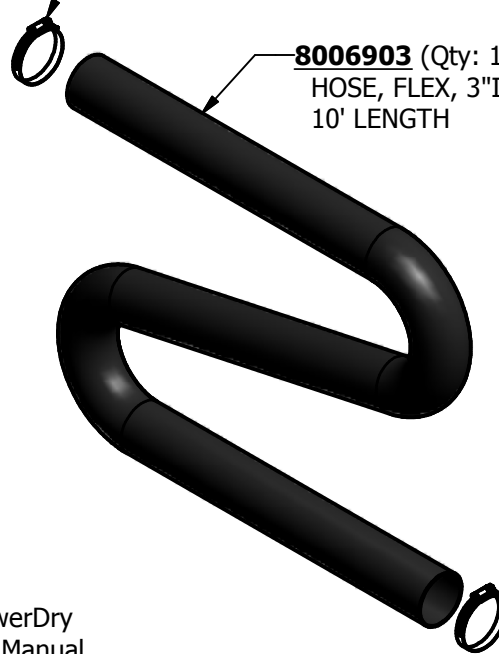
**8006300**  
 PAXTON PowerDry ENCLOSURE  
 INCLUDES MOUNTING BASE  
 AND 90 DEG ELBOW W/SLEEVES



**8006210**  
 MOUNTING SYS, PowerDry  
 3" UHMW MANIFOLD, 304 & 18-8 SS

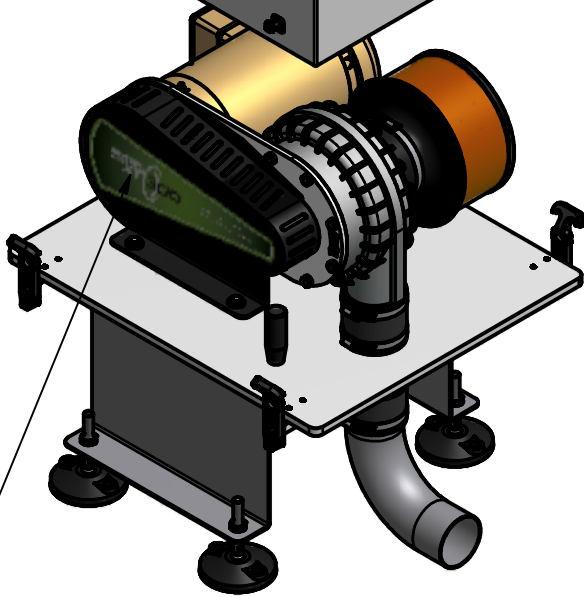


**1055970** (QTY:2)  
 CLAMP, 3" ID HOSE, SST  
 2.56 to 3.5", #48 CLAMP



**8006903** (Qty: 1 length)  
 HOSE, FLEX, 3"ID, HT BLACK  
 10' LENGTH

**8006100**  
 BLWR, XT300 3HP 145TC 60HZ, 1.81  
 208-230/460V/3 PHASE



see MOTOR Wire Diagram: CEM3559T

**8006090**  
 INSTRUCTION SHEET, PowerDry  
 Installation and Operation Manual



WT: 150 lbs  
 (68 kgs)

THIS DOCUMENT IS THE PROPERTY OF PAXTON PRODUCTS AND IS FURNISHED ON THE CONDITION THAT IT IS TO BE USED ONLY BY PAXTON CUSTOMERS FOR INTEGRATING PAXTON EQUIPMENT. THIS DOCUMENT MAY BE USED BY CUSTOMERS TO CREATE THEIR OWN EQUIPMENT DOCUMENTATION. OTHERWISE THIS DOCUMENT IS NOT TO BE USED IN ANY SHAPE OR FORM TO CREATE DOCUMENTS, PARTS, OR EQUIPMENT.



10125 Carver Road Phone: (800) 441-7475  
 Cincinnati, OH 45242 (513) 891-7474  
[www.paxtonproducts.com](http://www.paxtonproducts.com)

Cut Sheet - PAXTON PowerDry SYSTEM, 3Hp  
 208-230/460V/3/60HZ, (6) 1/2" NOZZLES

DATE 7/15/2013

INVENTOR DWG No.

**CS-8006002**

**PATENT, US 8,074,372**