

AIR DELIVERY DEVICE MOUNTING



For Conveyor Top Drying

Instructions below are for mounting one of the following Air Delivery Devices: Air Knife, Nozzle Manifold, and Inline Manifold. For multiple devices, repeat instructions and position devices 1–4 feet apart, and preferably not less than 12" apart.

Each Air Delivery Device comes with:

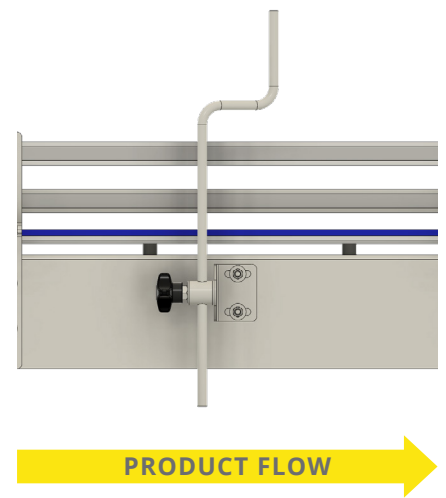
1. Mounting Plate Kit (installed on device)
 - Air Knives = part #8402201-KIT-SIDE
 - Nozzle Manifolds = part #8402201-KIT-SIDE
2. Mounting Rod Kit
 - Air Knives = part #8006634
 - Nozzle Manifolds = part #8006634-NOZ

INSTRUCTIONS

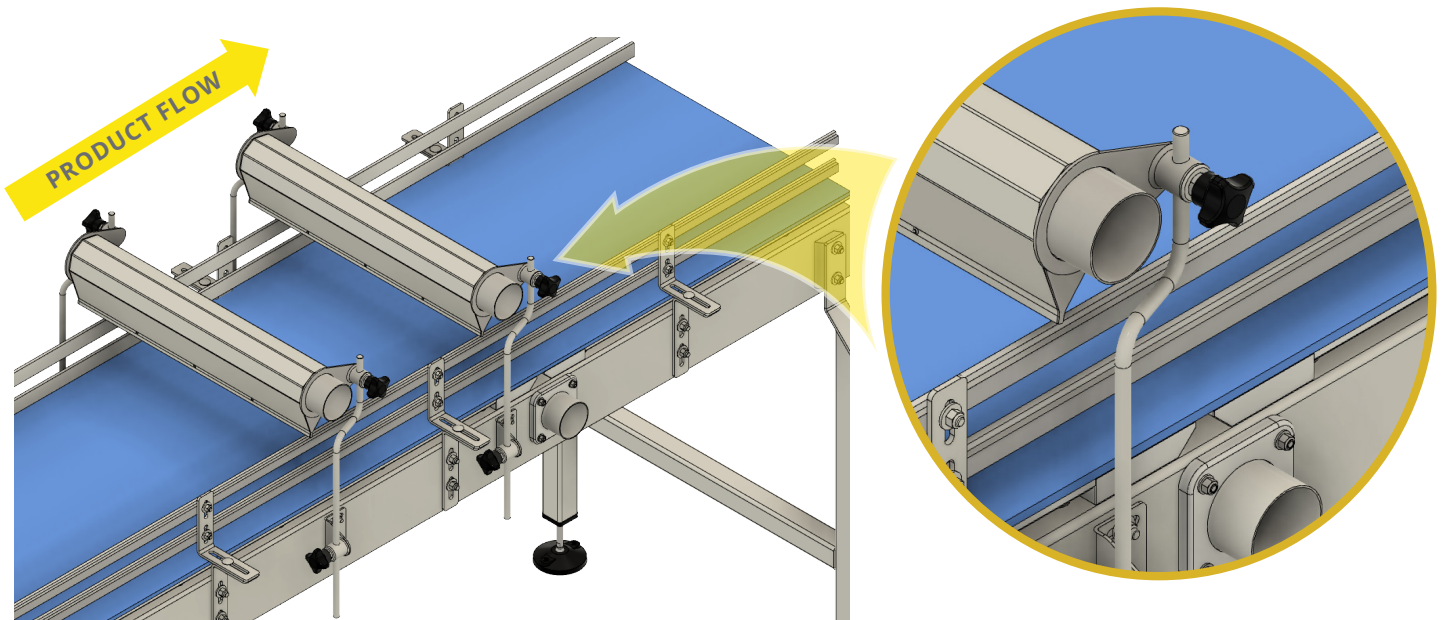
1 Mount rods to conveyor: Drill two 1 1/32" holes, 2" on center vertically, on both sides of the conveyor to mount rod brackets. Alternatively, the brackets can be stud welded to the conveyor using 5/16" bolts. The bracket can be installed such that the knob is on either side and at any convenient height.

2 Install rods on the brackets such that the short upright is on the downstream side.

3 Using the knobs, adjust the height of the rods such that the horizontal portion of the rod is at or above the height of any conveyor rails.



4 Install Air Delivery Device by sliding the rods through the knobs on the device brackets. The air inlet should be positioned to minimize the distance / amount of hose from the blower. Remove tape that was holding the brackets in place during shipment.

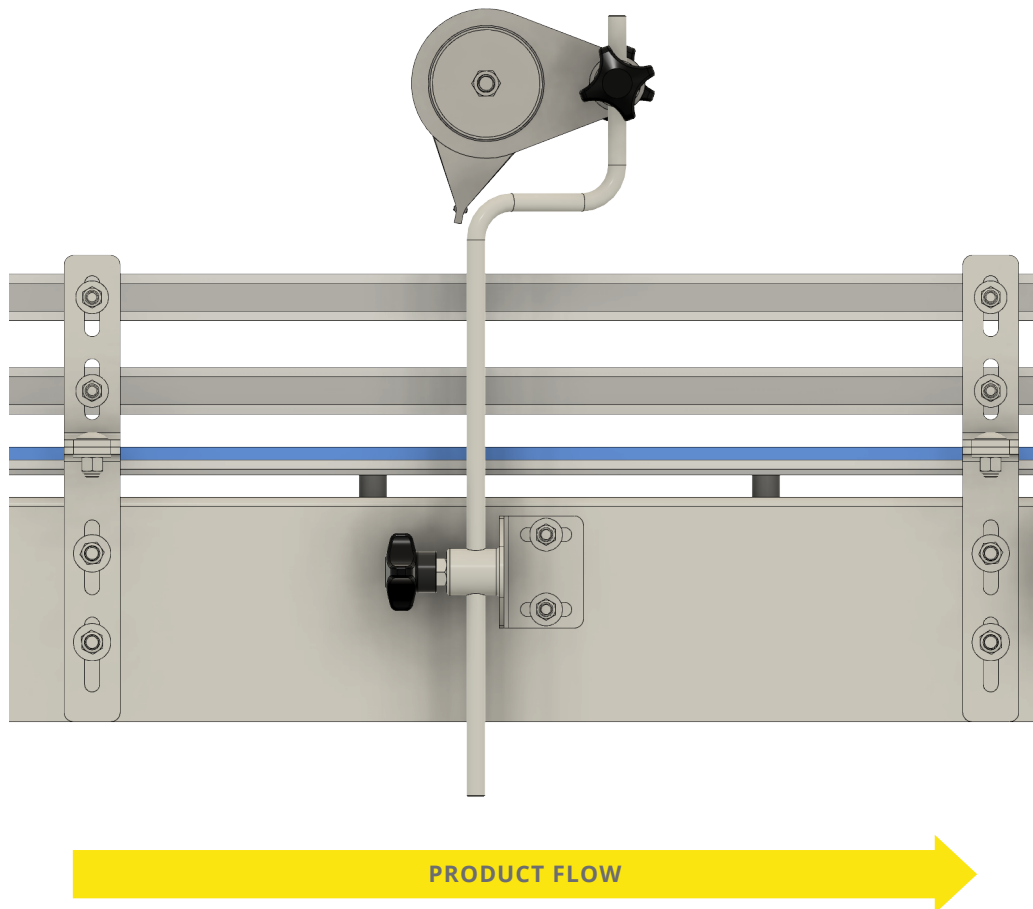


5

Adjust the height of the Air Delivery Device, by sliding the rods up or down, such that the device is positioned 1–2" above the top of the product being dried. It may be necessary to cut the rails to position the Air Delivery Device close to product.

6

The pitch of the Air Delivery Device must be adjusted using the knob on the end of the device. The device should be tilted about 10° from vertical, against the flow.



7

Install hose from blower to Air Delivery Device inlet(s), using hose clamps.