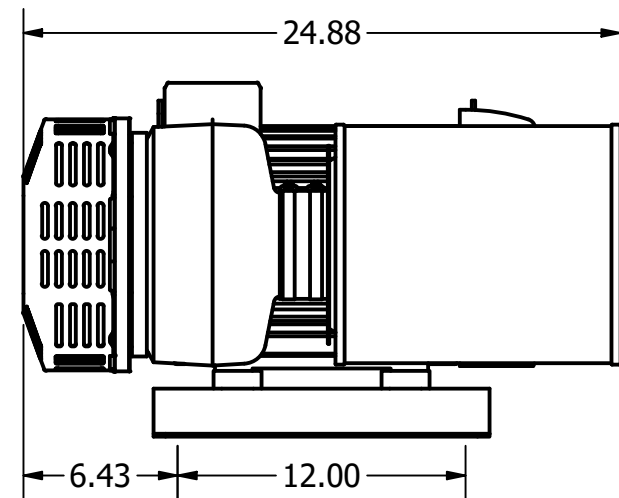
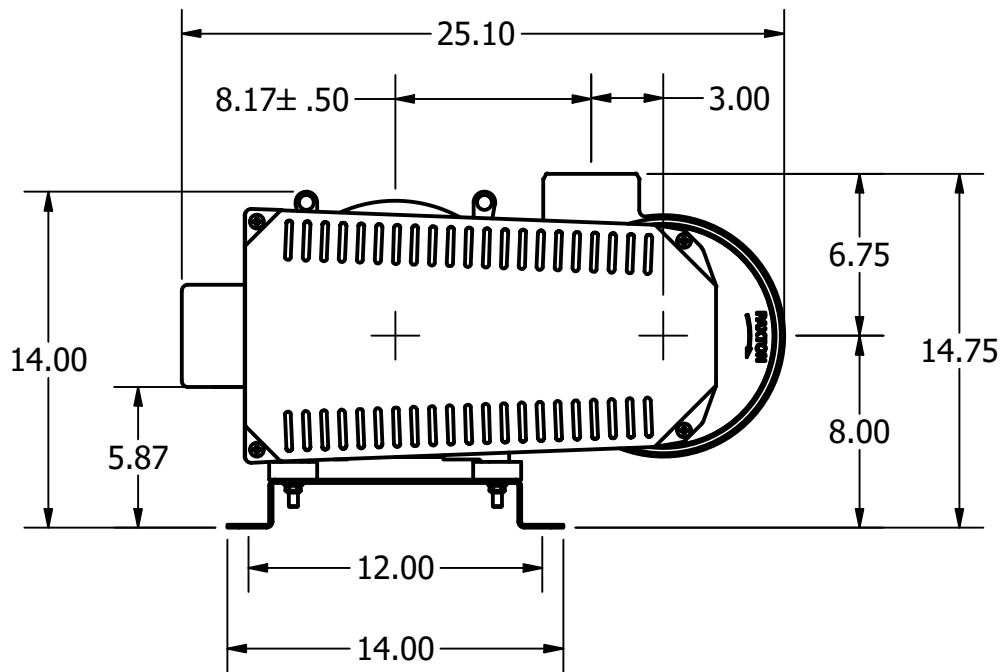


**5M-1200-H
FILTER / SILENCER**



TYPICAL WT = 260 lbs

THIS DOCUMENT IS THE PROPERTY OF PAXTON PRODUCTS AND IS FURNISHED ON THE CONDITION THAT IT IS TO BE USED ONLY BY PAXTON CUSTOMERS FOR INTEGRATING PAXTON EQUIPMENT. THIS DOCUMENT MAY BE USED BY CUSTOMERS TO CREATE THEIR OWN EQUIPMENT DOCUMENTATION. OTHERWISE THIS DOCUMENT IS NOT TO BE USED IN ANY SHAPE OR FORM TO CREATE DOCUMENTS, PARTS, OR EQUIPMENT.



10125 Carver Road Phone: (800) 441-7475
Cincinnati, OH 45242 (513) 891-7474

www.paxtonproducts.com

**OVERALL DWG, BLWR, AT1200, 15HP, 215 TC
AT1200-15-215TC, VIEW A-A**

DATE

5/2/2013

INVENTOR DWG No.

OA-AT1200-15-VIEW-A-A