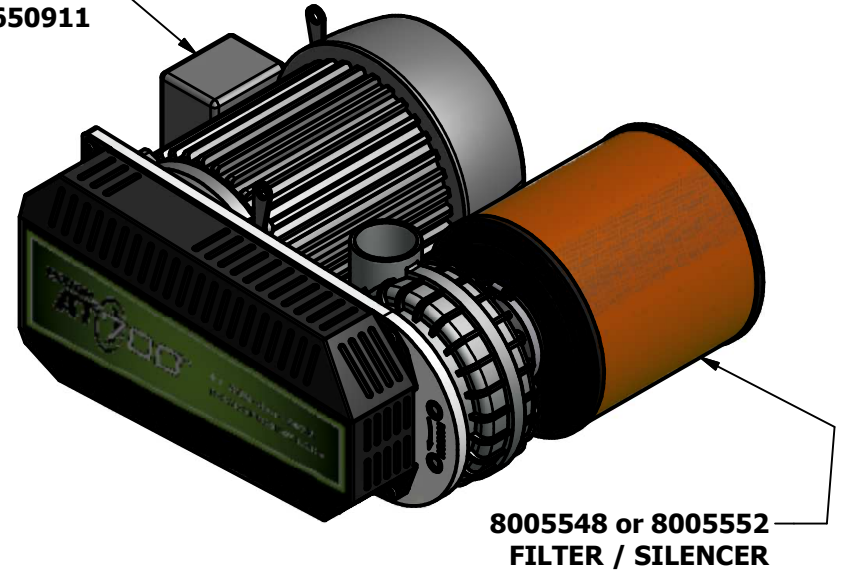
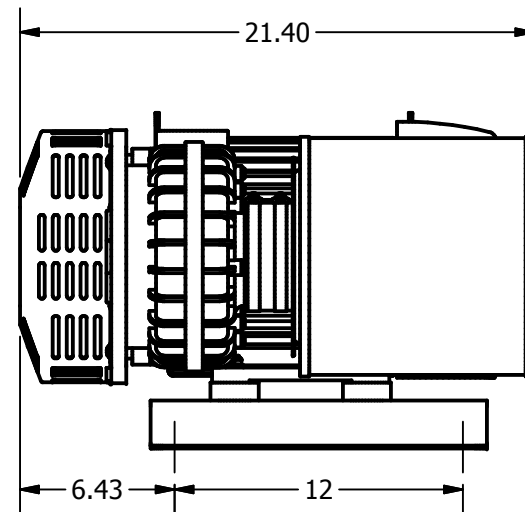
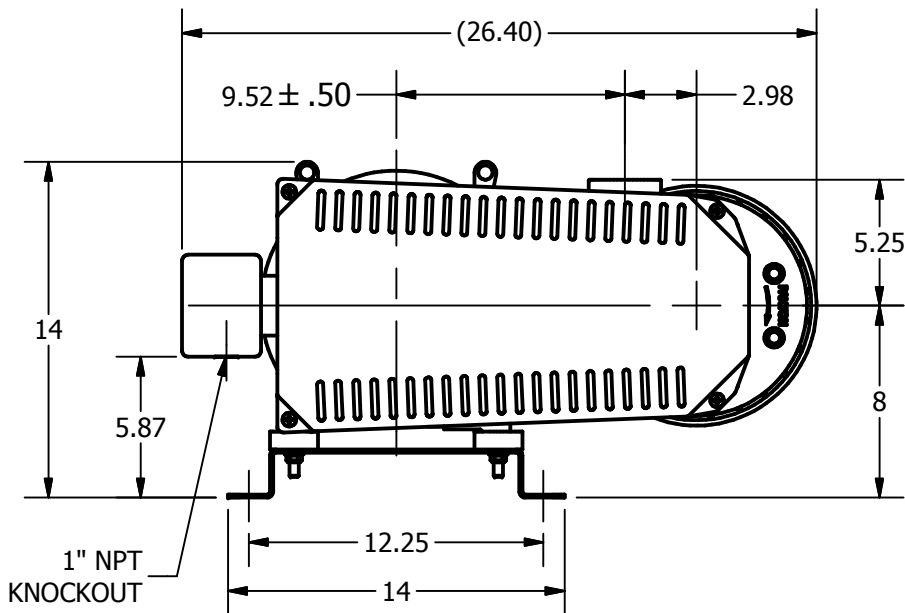
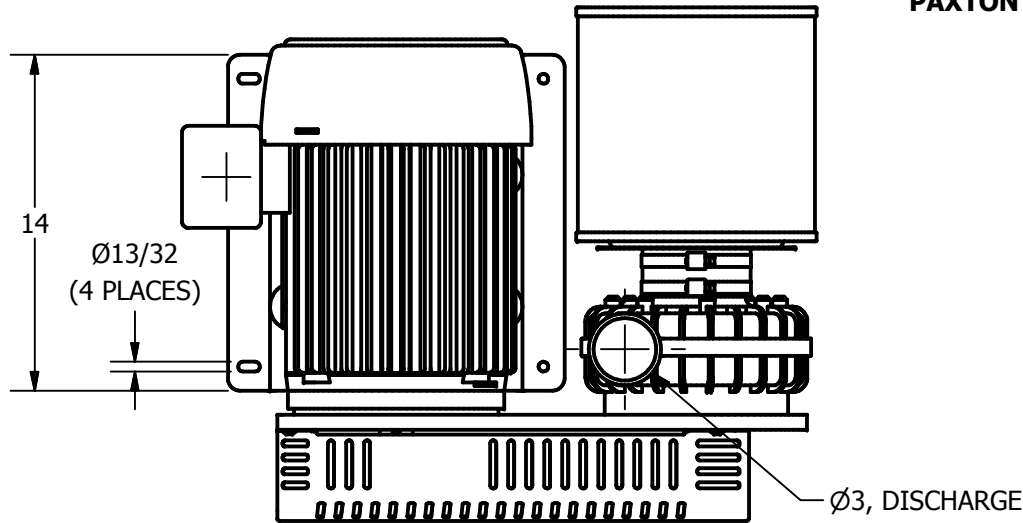


TYPICAL MOTOR:
PAXTON 2650911



8005548 or 8005552
FILTER / SILENCER



TYPICAL WT = 152 lbs

FOR REPLACEMENT PARTS INFORMATION OR EXACT C-C DIMENSION,
PLEASE SEE THE SPECIFIC "PARTS DIAGRAM" FOR YOUR BLOWER.

THIS DOCUMENT IS THE PROPERTY
OF PAXTON PRODUCTS AND IS
FURNISHED ON THE CONDITION
THAT IT IS TO BE USED ONLY BY
PAXTON CUSTOMERS FOR
INTEGRATING PAXTON
EQUIPMENT. THIS DOCUMENT
MAY BE USED BY CUSTOMERS TO
CREATE THEIR OWN EQUIPMENT
DOCUMENTATION. OTHERWISE
THIS DOCUMENT IS NOT TO BE
USED IN ANY SHAPE OR FORM TO
CREATE DOCUMENTS, PARTS, OR
EQUIPMENT.



10125 Carver Road Phone: (800) 441-7475
Cincinnati, OH 45242 (513) 891-7474
www.paxtonproducts.com

OVERALL DWG, BLWR, AT700 7.5Hp 213TC
AT700-7.5-213TC-7.938-420, VIEW A-A

DATE
7/15/2013

INVENTOR DWG No.
OA-B6707-VIEW-A-A