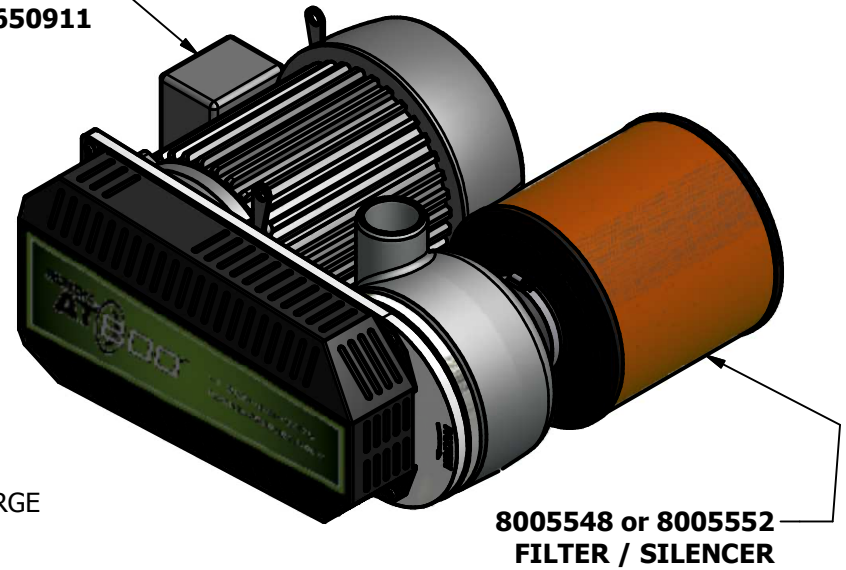
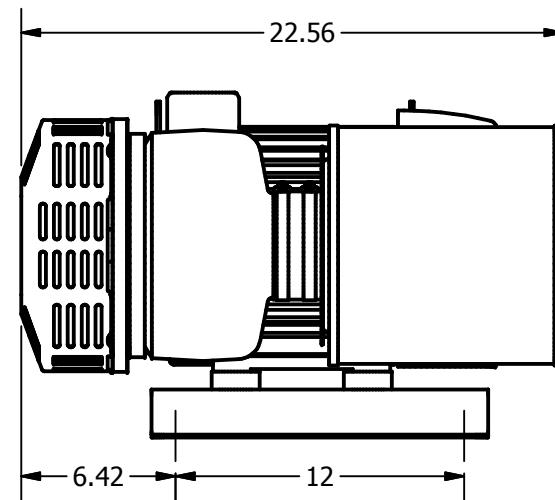
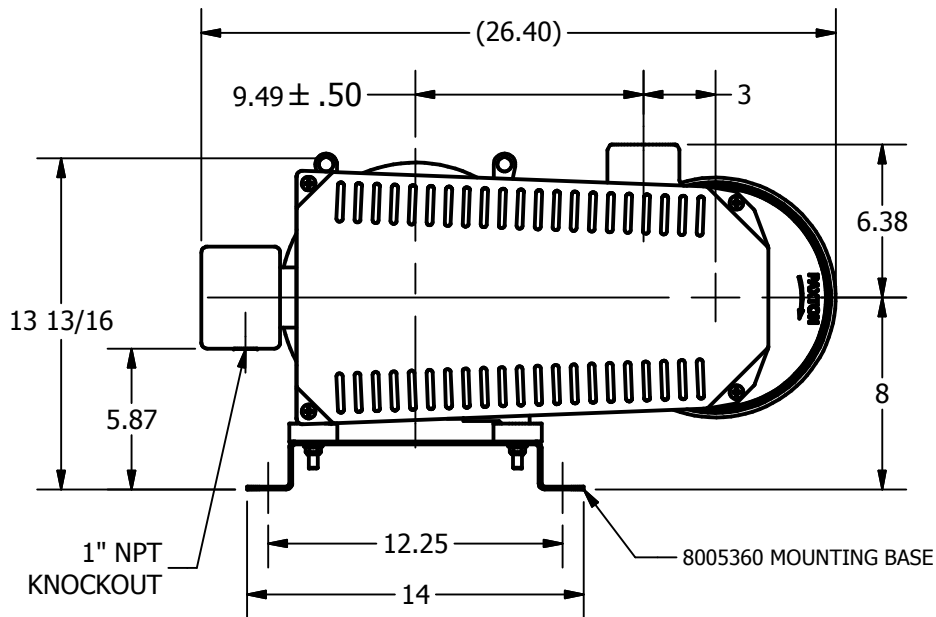


TYPICAL MOTOR:  
PAXTON 2650911



Ø3, DISCHARGE

8005548 or 8005552  
FILTER / SILENCER



TYPICAL WT = 158 lbs

FOR REPLACEMENT PARTS INFORMATION OR EXACT C-C DIMENSION,  
PLEASE SEE THE SPECIFIC "PARTS DIAGRAM" FOR YOUR BLOWER.

THIS DOCUMENT IS THE PROPERTY OF PAXTON PRODUCTS AND IS FURNISHED ON THE CONDITION THAT IT IS TO BE USED ONLY BY PAXTON CUSTOMERS FOR INTEGRATING PAXTON EQUIPMENT. THIS DOCUMENT MAY BE USED BY CUSTOMERS TO CREATE THEIR OWN EQUIPMENT DOCUMENTATION. OTHERWISE THIS DOCUMENT IS NOT TO BE USED IN ANY SHAPE OR FORM TO CREATE DOCUMENTS, PARTS, OR EQUIPMENT.



10125 Carver Road Phone: (800) 441-7475  
Cincinnati, OH 45242 (513) 891-7474  
www.paxtonproducts.com

OVERALL DWG, BLWR, AT800 7.5Hp 213TC  
AT800-7.5-213TC-7.938-420, VIEW A-A

DATE  
7/15/2013

INVENTOR DWG No.  
OA-B6807-VIEW-A-A