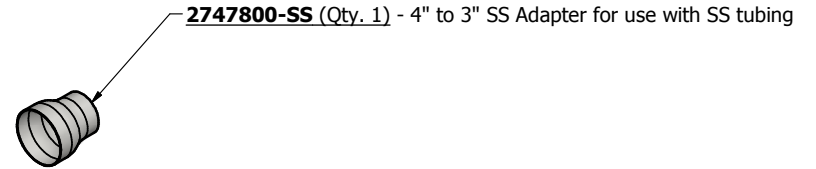
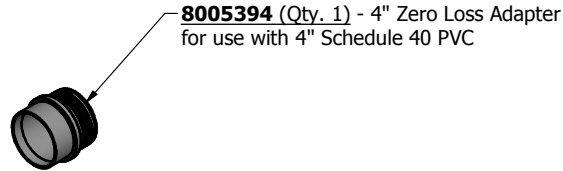
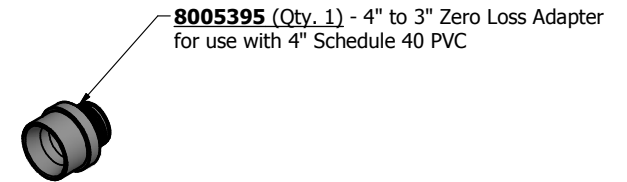
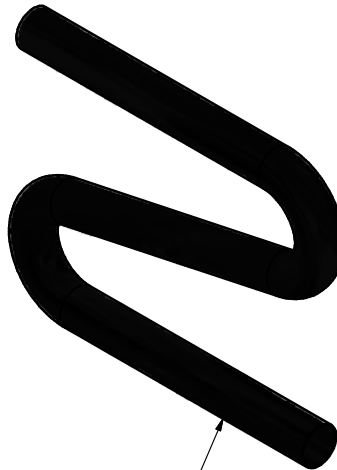
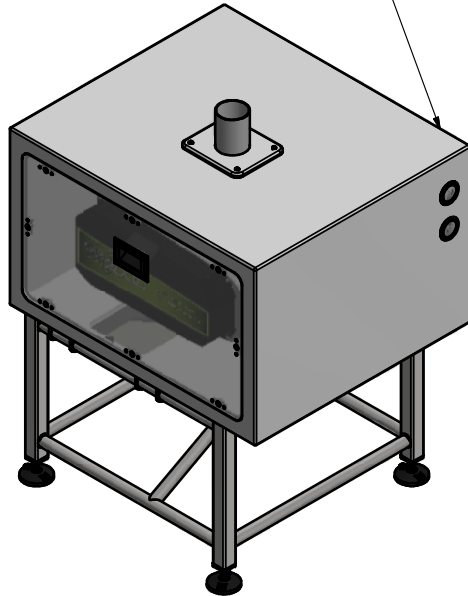


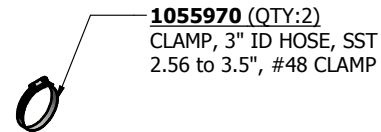
2746848 (QTY: 3)
SLEEVE CONNECTION
3" ID X 3" LG W/ SST CLAMPS
BLACK SILICONE



PX-1000-0750-60 w/ 8401140-T
PX-1000 Blower, 750 CFM @ 60" H2O, 10HP
and PX Series Washdown Enclosure



2735404 (QTY: 2)
SLEEVE CONNECTION
4" ID X 3" LG W/ SST CLAMPS
BLACK SILICONE



THIS DOCUMENT IS THE PROPERTY
OF PAXTON PRODUCTS AND IS
FURNISHED ON THE CONDITION
THAT IT IS TO BE USED ONLY BY
PAXTON CUSTOMERS FOR
INTEGRATING PAXTON
EQUIPMENT. THIS DOCUMENT
MAY BE USED BY CUSTOMERS TO
CREATE THEIR OWN EQUIPMENT
DOCUMENTATION. OTHERWISE
THIS DOCUMENT IS NOT TO BE
USED IN ANY SHAPE OR FORM TO
CREATE DOCUMENTS, PARTS, OR
EQUIPMENT.



10125 Carver Road Phone: (800) 441-7475
Cincinnati, OH 45242 (513) 891-7474
www.paxtonproducts.com

Cut Sheet - PX-1000 CAN DRYER SYSTEM, 10HP
230/460V/3/60Hz, Full Cap Dryer

DATE 12/5/2019

INVENTOR DWG No.

CS-8007260