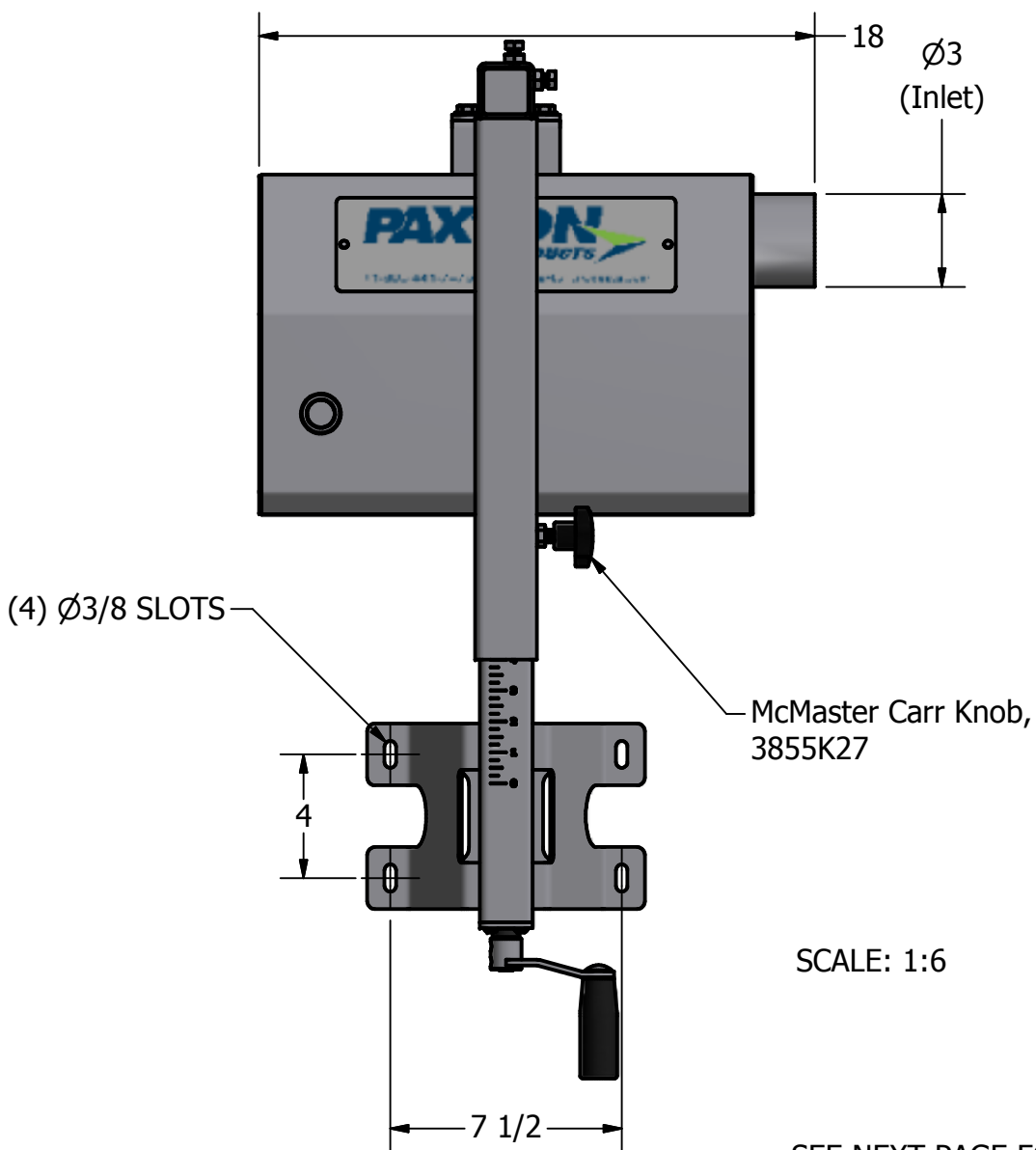


(2 PLACES) Ø1 1/4
FOR HOSE CONNECTION
OR 3/4\"/>

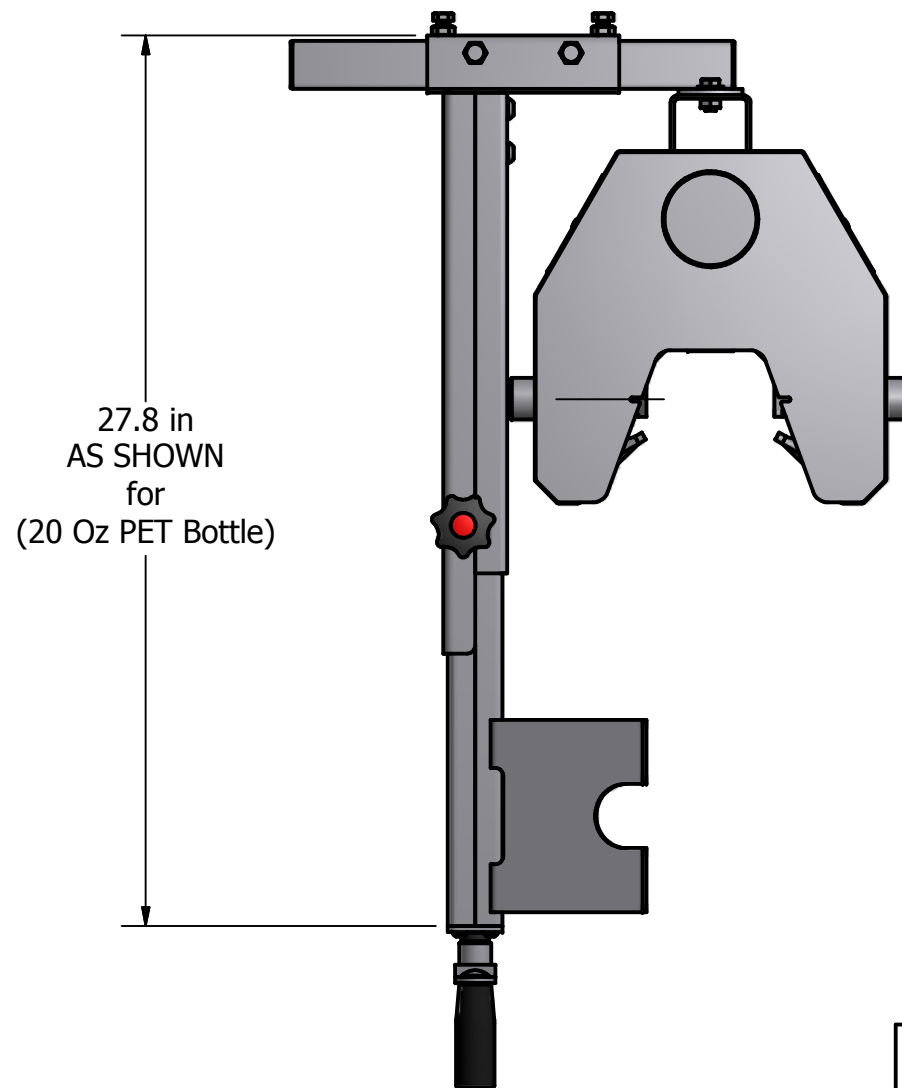


(4) Ø3/8 SLOTS

McMaster Carr Knob,
3855K27

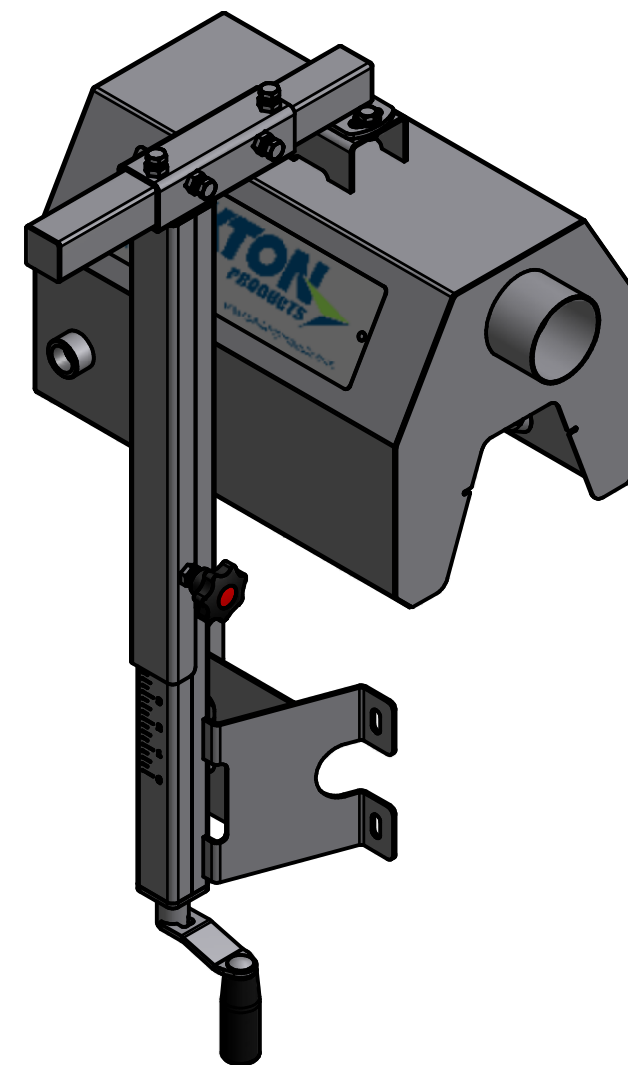
SCALE: 1:6

SEE NEXT PAGE FOR,
Blow Out Nozzle/Flare For Empty Bottles



27.8 in
AS SHOWN
for
20 Oz PET Bottle

ASSEMBLY WEIGHT: 38lbs



OPERATING HEIGHT=
2" CONVEYOR OFF SET
+ BOTTLE OVERALL HT
- CAP HEIGHT (0.7")

Example, 20oz Bottle
HT = 2" + 8.7" - 0.7"
HT = 10in

Maximum HT = 16in
(2" higher than 2-Liter PET)

Minimum HT = 6in
(2" lower than 12oz PET)

PATENT PENDING

THIS DOCUMENT IS THE PROPERTY
OF PAXTON PRODUCTS AND IS
FURNISHED ON THE CONDITION
THAT IT IS TO BE USED ONLY BY
PAXTON CUSTOMERS FOR
INTEGRATING PAXTON
EQUIPMENT. THIS DOCUMENT
MAY BE USED BY CUSTOMERS TO
CREATE THEIR OWN EQUIPMENT
DOCUMENTATION. OTHERWISE
THIS DOCUMENT IS NOT TO BE
USED IN ANY SHAPE OR FORM TO
CREATE DOCUMENTS, PARTS, OR
EQUIPMENT.

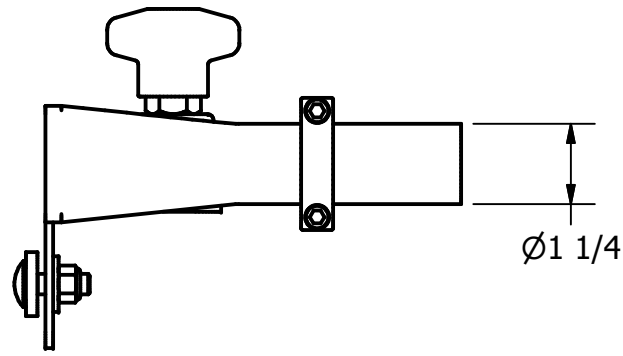


10125 Carver Road Phone: (800) 441-7475
Cincinnati, OH 45242 (513) 891-7474
www.paxtonproducts.com

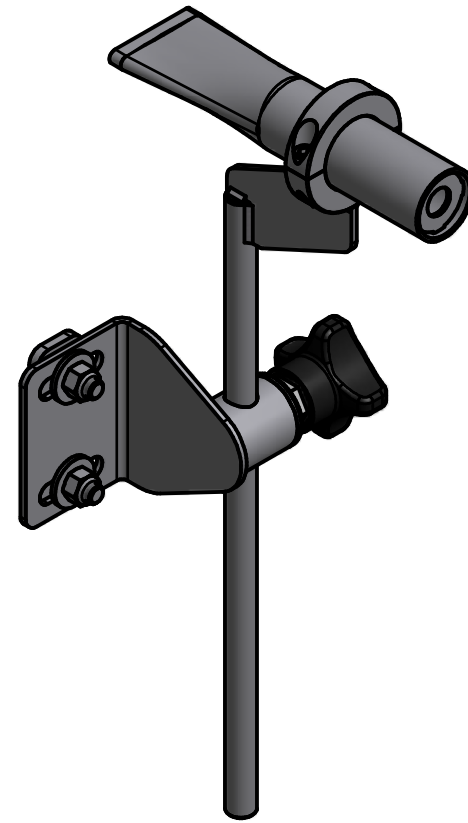
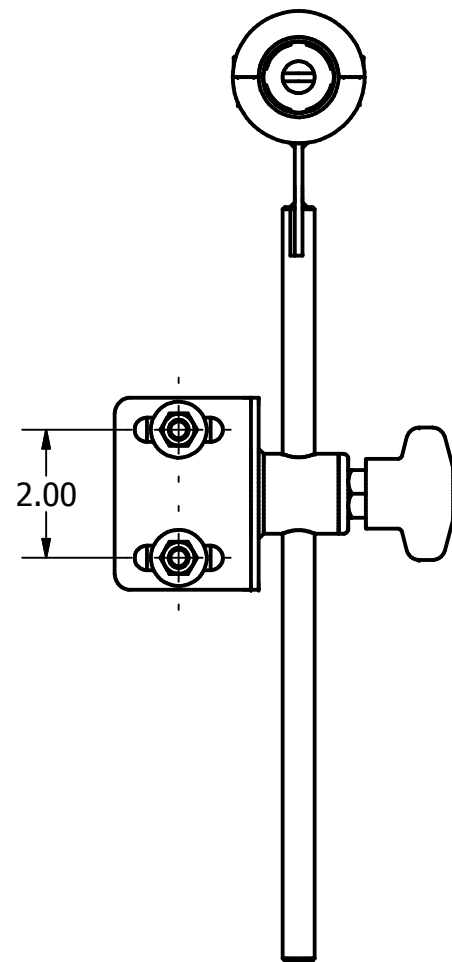
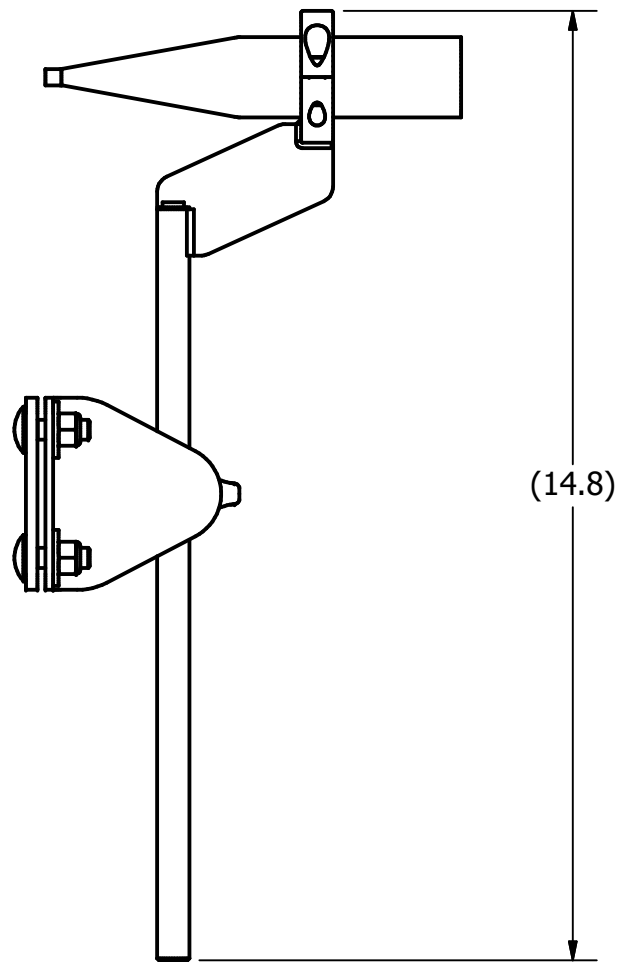
CapDryer SYSTEM, WITH ADJ. MNT
304SS, (12) FLARES, 3"INLET,(2)1-1/4 OUTLETS

DATE
6/26/2014

INVENTOR DWG No.
OA-8007250-CapDryer-12



← HORIZONTAL ADJUSTMENT +/- 1"



Blow Out Nozzle/Flare
 For Empty Bottles, with 5' of 1-1/4" hose
 (McMasterCarr 5314K31)
 and (2) 1-1/4" Hose Clamps

SCALE: 1:3

PATENT PENDING

THIS DOCUMENT IS THE PROPERTY OF PAXTON PRODUCTS AND IS FURNISHED ON THE CONDITION THAT IT IS TO BE USED ONLY BY PAXTON CUSTOMERS FOR INTEGRATING PAXTON EQUIPMENT. THIS DOCUMENT MAY BE USED BY CUSTOMERS TO CREATE THEIR OWN EQUIPMENT DOCUMENTATION. OTHERWISE THIS DOCUMENT IS NOT TO BE USED IN ANY SHAPE OR FORM TO CREATE DOCUMENTS, PARTS, OR EQUIPMENT.

	10125 Carver Road Cincinnati, OH 45242 www.paxtonproducts.com	Phone: (800) 441-7475 (513) 891-7474
	CapDryer SYSTEM, WITH ADJ. MNT 304SS, (12) FLARES, 3"INLET,(2)1-1/4 OUTLETS	
DATE 6/26/2014	INVENTOR DWG No. OA-8007250-CapDryer-12	