

8401720
PAXTON PX SERIES ENCLOSURE
INCLUDES MOUNTING BASE



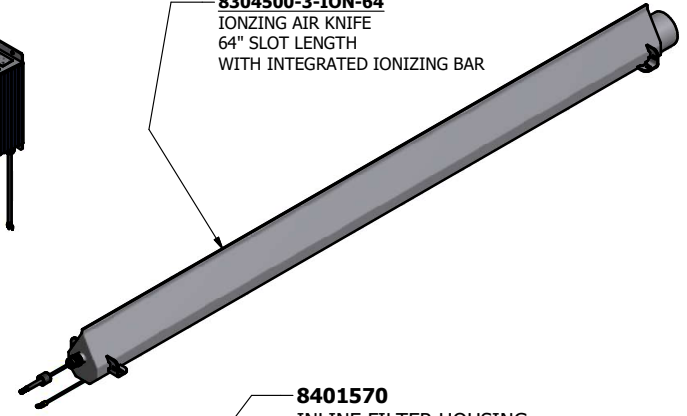
PX-750-0450-70
BLWR,PX750 7.5HP 184TC 60HZ
208-230/460V/3 450CFM @ 73"WC

This system is sized to operate with the filters listed, under all operating conditions. To reduce system performance, a VFD is recommended for this application.

0805164900
POWER SUPPLY, 115V/1/60HZ
A1B4BHR, 4KV w/ BHR (RELAY)
(WITH HIGH VOLTAGE INDICATOR
AND RELAY / CONTACTS)



8304500-3-ION-64
IONIZING AIR KNIFE
64" SLOT LENGTH
WITH INTEGRATED IONIZING BAR



(Qty 4): **1055970**
3" Hose Clamp

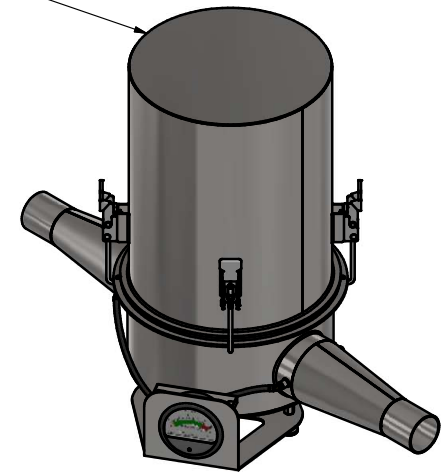


(Qty:2) **2746848**
SLEEVE CONNECTION
3" ID X 3" LG W/ SST CLAMPS
BLACK SILICONE

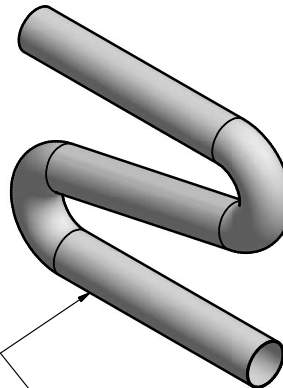


8401570
INLINE FILTER HOUSING
WITH 3" HOSE CONNECTIONS
HEPA (0.3 mic.) @ 500 CFM
304 & 18-8 SS, WITH GAUGE

USE REPLACEMENT FILTER: HEPA-500-R1



2735404
SLEEVE CONNECTION
4" ID X 3" LG W/ SST CLAMPS
BLACK SILICONE



8006903-25-FDA
HOSE, FLEX, 4"ID,
25' LENGTH

(Qty. 2) **2772502**
Elbow, 3" OD, 90 Deg.
304 SS Polished



THIS DOCUMENT IS THE PROPERTY OF PAXTON PRODUCTS AND IS FURNISHED ON THE CONDITION THAT IT IS TO BE USED ONLY BY PAXTON CUSTOMERS FOR INTEGRATING PAXTON EQUIPMENT. THIS DOCUMENT MAY BE USED BY CUSTOMERS TO CREATE THEIR OWN EQUIPMENT DOCUMENTATION. OTHERWISE THIS DOCUMENT IS NOT TO BE USED IN ANY SHAPE OR FORM TO CREATE DOCUMENTS, PARTS, OR EQUIPMENT.

PAXTON PRODUCTS
10125 Carver Road Cincinnati, OH 45242
Phone: (800) 441-7475 (513) 891-7474
www.paxtonproducts.com

Cut Sheet - IONIZED AIR SYSTEM, BOTTLES
7.5Hp, 208-230/460V/3/60Hz (HEPA INLINE)

DATE 4/13/2022

INVENTOR DWG No.

CS-8007390-PX