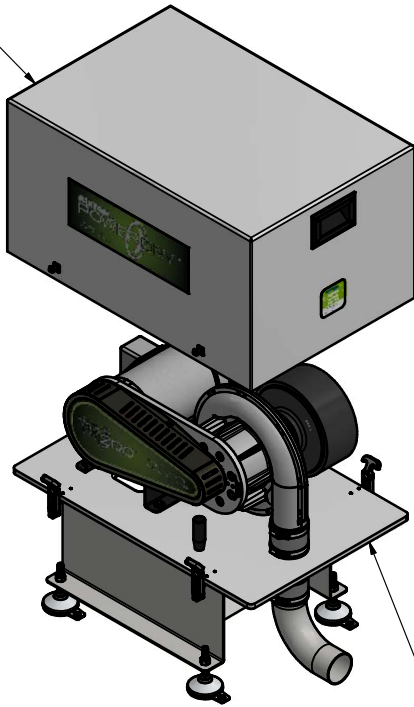
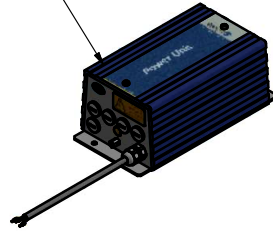


**8401680**  
Paxton PX200 Series Enclosure  
Includes Mounting Base

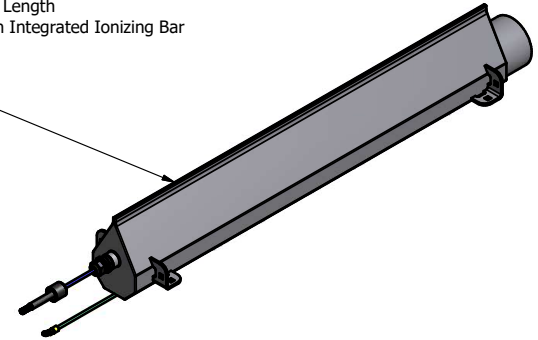


**PX200-0250-30-AE**  
BLWR, PX200 2HP 145TC 60HZ, 1.81  
208-230/460V/3 Phase

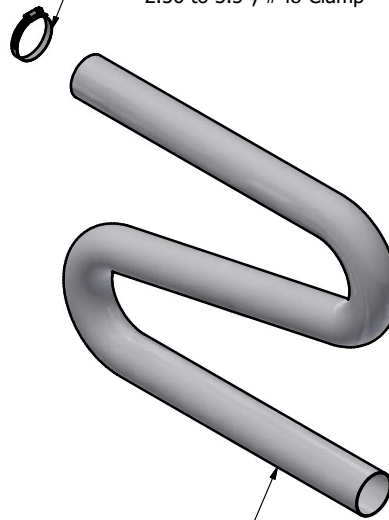
**805164900**  
Power Supply, 120V/1/50/60HZ  
A1B4BHR, 4KV w/ BHR (Relay)



**8304500-3-ION-28**  
Ionizing Air Knife  
28" Length  
with Integrated Ionizing Bar

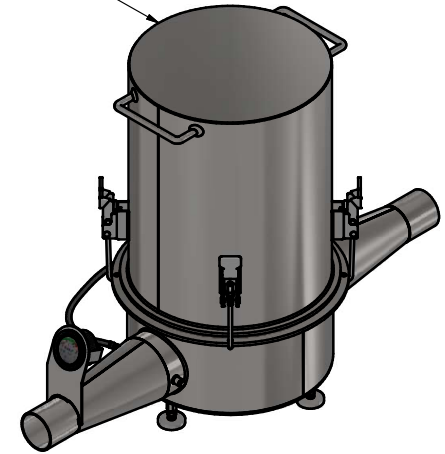


**1055970 (QTY:4)**  
Clamp, 3" ID Hose, SST  
2.56 to 3.5", #48 Clamp



**8006903-25-FDA (Qty: (1) 25' length)**  
Hose, Flex, 3"ID, HT Clear  
25' Length

**8401570**  
Inline Filter Housing  
with 3" Hose Connections  
HEPA (0.3 mic.) @ 500 CFM  
304 & 18-8 SS, with Gauge



THIS DOCUMENT IS THE PROPERTY OF PAXTON PRODUCTS AND IS FURNISHED ON THE CONDITION THAT IT IS TO BE USED ONLY BY INTEGRATING PAXTON EQUIPMENT. THIS DOCUMENT MAY BE USED BY CUSTOMERS TO CREATE THEIR OWN EQUIPMENT DOCUMENTATION. OTHERWISE THIS DOCUMENT IS NOT TO BE USED IN ANY SHAPE OR FORM TO CREATE DOCUMENTS, PARTS, OR EQUIPMENT.



10125 Carver Road Phone: (800) 441-7475  
Cincinnati, OH 45242 (513) 891-7474  
www.paxtonproducts.com

Cut Sheet - Ionized Air System, Bottles  
Low Speed, 2Hp, 208-230/460V/3/60Hz, 28" A/K

DATE 2/15/2022

INVENTOR DWG No.

**IBR-200**