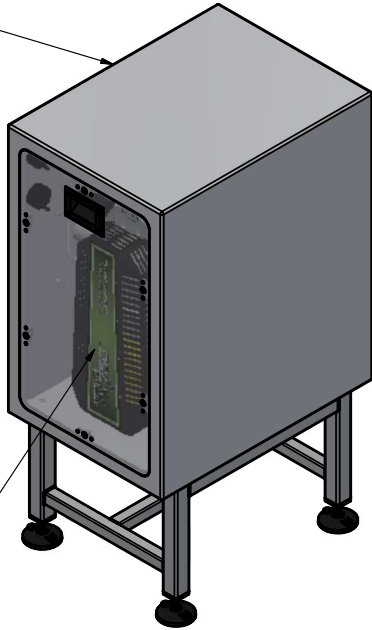


8401720
PAXTON PX SERIES ENCLOSURE
INCLUDES MOUNTING BASE



PX-750-0450-70
BLWR,PX750 7.5HP 184TC 60HZ
208-230/460V/3 450CFM @ 73"WC

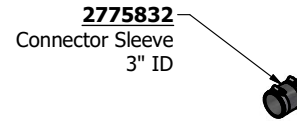
This system is sized to operate with the filters listed, under all operating conditions.
To reduce system performance,
a VFD is recommended for this application.

0805164900
POWER SUPPLY, 115V/1/60Hz
A1B4BHR, 4KV w/ BHR (RELAY)

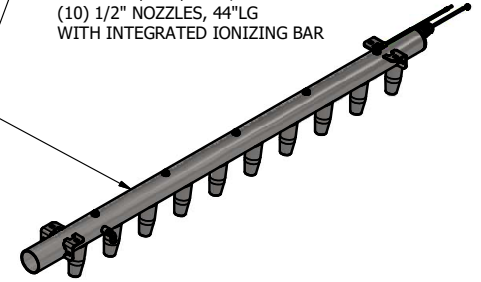
(WITH HIGH VOLTAGE INDICATOR
AND RELAY / CONTACTS)



2769000-SS
Adapter, 3" OD x 2" OD
Stainless Steel

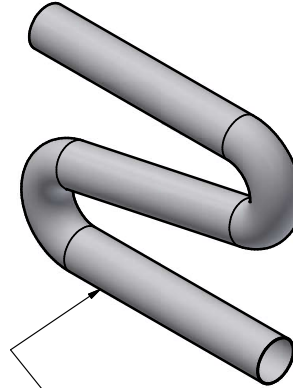
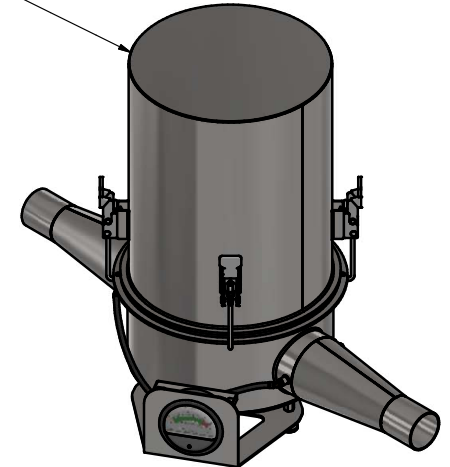


8007325-ION-10DEG-10-44
MANIFOLD, ION, 2"OD/304SS
(10) 1/2" NOZZLES, 44"LG
WITH INTEGRATED IONIZING BAR



8401570
INLINE FILTER HOUSING
WITH 3" HOSE CONNECTIONS
HEPA (0.3 mic.) @ 500 CFM
304 & 18-8 SS, WITH GAUGE

USE REPLACEMENT FILTER: HEPA-500-R1



8006903-25-FDA
HOSE, FLEX, 3"ID
25' LENGTH

(Qty. 2) **2772502**
ELBOW, 3" OD, 90 DEG
304 SST POLISHED



<small>THIS DOCUMENT IS THE PROPERTY OF PAXTON PRODUCTS AND IS FURNISHED ON THE CONDITION THAT IT IS TO BE USED ONLY BY PAXTON CUSTOMERS FOR INTEGRATING PAXTON EQUIPMENT. THIS DOCUMENT MAY BE USED BY CUSTOMERS TO CREATE THEIR OWN EQUIPMENT DOCUMENTATION. OTHERWISE THIS DOCUMENT IS NOT TO BE USED IN ANY SHAPE OR FORM TO CREATE DOCUMENTS, PARTS, OR EQUIPMENT.</small>		10125 Carver Road Cincinnati, OH 45242 www.paxtonproducts.com	Phone: (800) 441-7475 (513) 891-7474
	Cut Sheet - IONIZED AIR SYSTEM, CANS 7.5Hp, 208-230/460V/3/60Hz (HEPA INLINE)		
DATE	4/13/2022	INVENTOR DWG No.	CS-8007395-PX