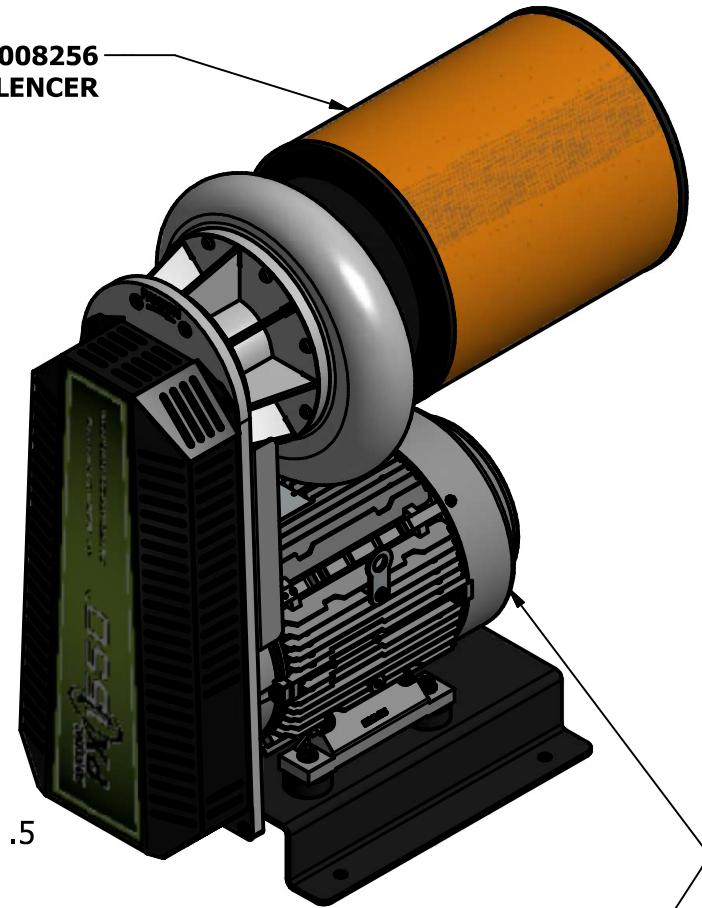


8008256  
FILTER / SILENCER



Motor:  
GR3-AL-TF-215TC-2-B-D-15



**8008468**, Gauge Kit  
Blower Output Pressure (0-100" W/C)  
Filter Pressure Drop (0-10" W/C)  
With tubing and fittings

8005330-PX15,  
MOUNTING BASE

1" NPT  
ELECTRICAL  
CONNECTION

TYPICAL WT = 245 lbs

FOR REPLACEMENT PARTS INFORMATION OR EXACT C-C DIMENSION,  
PLEASE SEE THE SPECIFIC "PARTS DIAGRAM" FOR YOUR BLOWER.

THIS DOCUMENT IS THE PROPERTY  
OF PAXTON PRODUCTS AND IS  
FURNISHED ON THE CONDITION  
THAT IT IS TO BE USED ONLY BY  
PAXTON CUSTOMERS FOR  
INTEGRATING PAXTON  
EQUIPMENT. THIS DOCUMENT  
MAY BE USED BY CUSTOMERS TO  
CREATE THEIR OWN EQUIPMENT  
DOCUMENTATION. OTHERWISE  
THIS DOCUMENT IS NOT TO BE  
USED IN ANY SHAPE OR FORM TO  
CREATE DOCUMENTS, PARTS, OR  
EQUIPMENT.



10125 Carver Road Phone: (800) 441-7475  
Cincinnati, OH 45242 (513) 891-7474  
www.paxtonproducts.com

PX-1550 Blower Drawing  
15Hp, 215TC, View B-G

DATE  
2/4/2016

INVENTOR DWG No.  
**OA-PX1500-VIEW B-G**