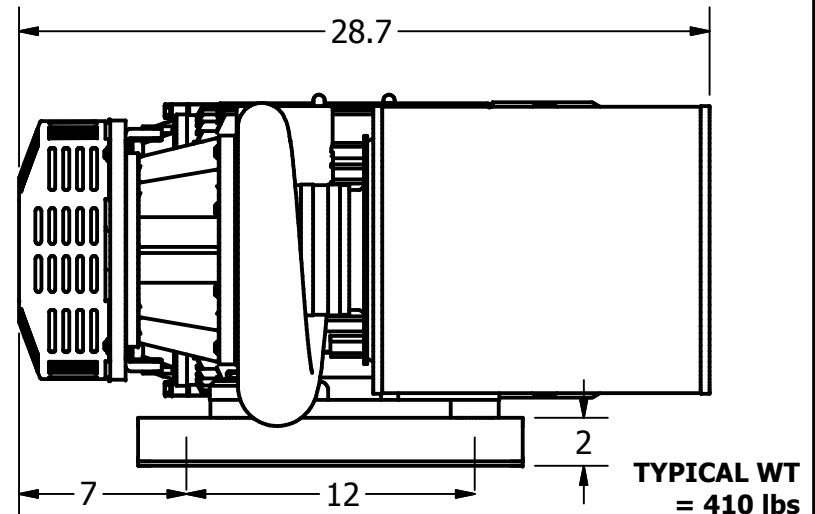
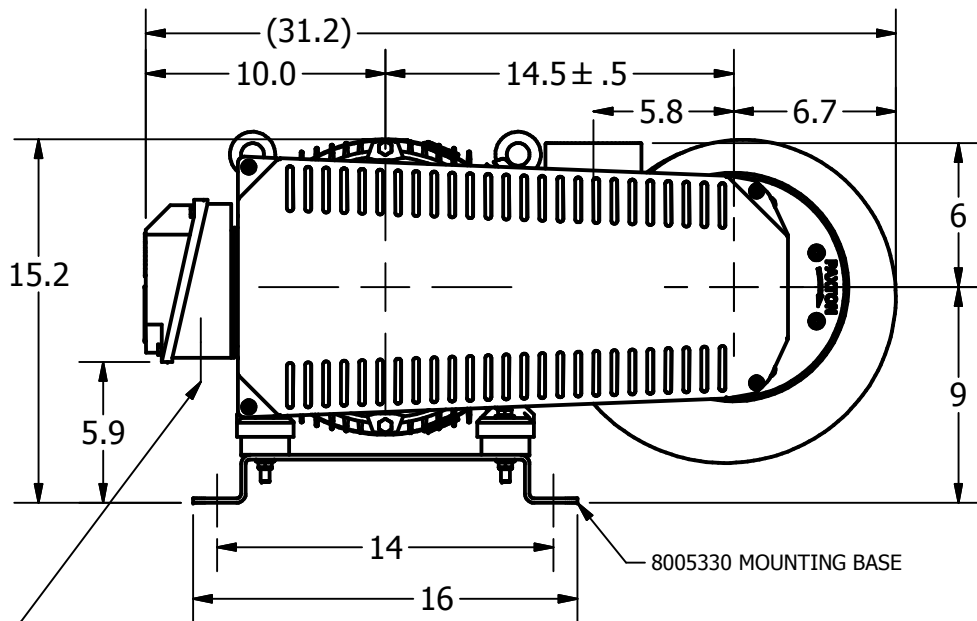
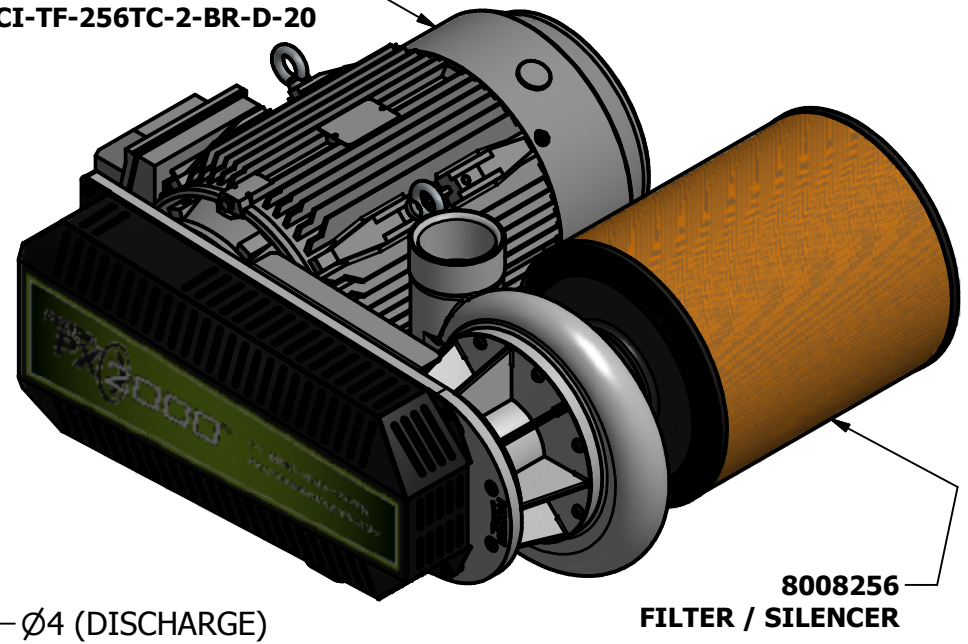
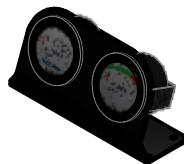


Motor:
GR3-CI-TF-256TC-2-BR-D-20



FOR REPLACEMENT PARTS INFORMATION OR EXACT C-C DIMENSION, PLEASE SEE THE SPECIFIC "PARTS DIAGRAM" FOR YOUR BLOWER.



8008468, Gauge Kit
Blower Output Pressure (0-100" W/C)
Filter Pressure Drop (0-10" W/C)
With tubing and fittings

THIS DOCUMENT IS THE PROPERTY OF PAXTON PRODUCTS AND IS FURNISHED ON THE CONDITION THAT IT IS TO BE USED ONLY BY PAXTON CUSTOMERS FOR INTEGRATING PAXTON EQUIPMENT. THIS DOCUMENT MAY BE USED BY CUSTOMERS TO CREATE THEIR OWN EQUIPMENT DOCUMENTATION. OTHERWISE THIS DOCUMENT IS NOT TO BE USED IN ANY SHAPE OR FORM TO CREATE DOCUMENTS, PARTS, OR EQUIPMENT.



10125 Carver Road Phone: (800) 441-7475
Cincinnati, OH 45242 (513) 891-7474
www.paxtonproducts.com

PX-2000 Blower Drawing
20Hp, 256TC, View A-A

DATE

2/4/2016

INVENTOR DWG No.

OA-PX2000-VIEW A-A