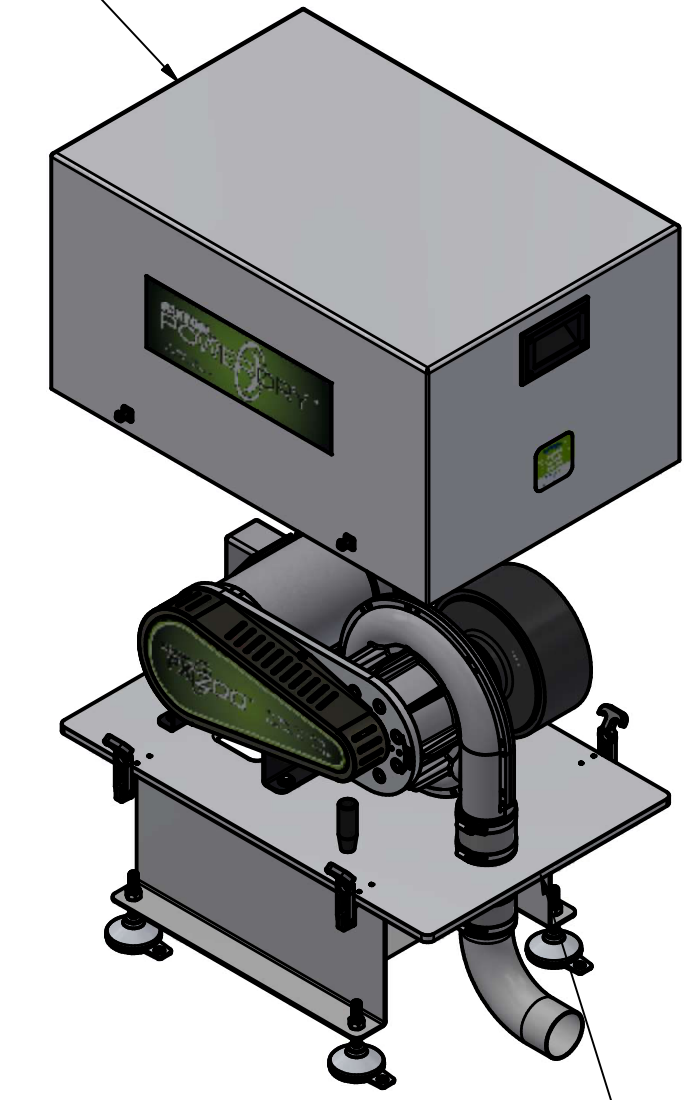
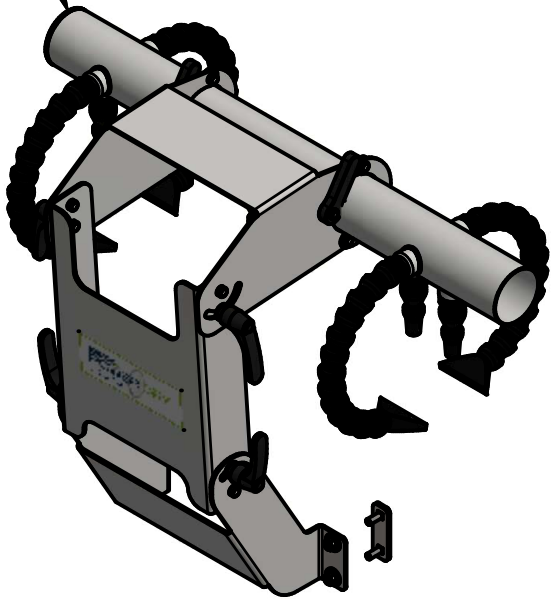


8401680
 Paxton PX200 Series Enclosure
 Includes Mounting Base



PX200-0250-30-AE
 BLWR, PX200 2HP 145TC 60Hz, 1.81
 208-230/460V/3 Phase

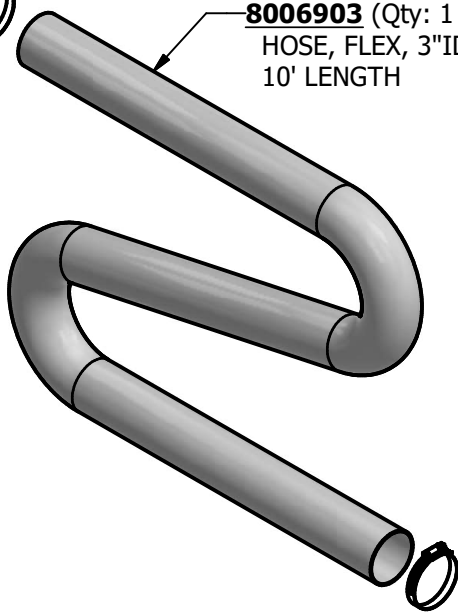
8006240-SS
 MOUNTING SYS, PowerDry SPYDER
 3" 304SS MANIFOLD, 304 & 18-8 SS



1055970 (QTY:2)
 CLAMP, 3" ID HOSE, SST
 2.56 to 3.5", #48 CLAMP



8006903 (Qty: 1 length)
 HOSE, FLEX, 3"ID, HT BLACK
 10' LENGTH



THIS DOCUMENT IS THE PROPERTY OF PAXTON PRODUCTS AND IS FURNISHED ON THE CONDITION THAT IT IS TO BE USED ONLY BY PAXTON CUSTOMERS FOR INTEGRATING PAXTON EQUIPMENT. THIS DOCUMENT MAY BE USED BY CUSTOMERS TO CREATE THEIR OWN EQUIPMENT DOCUMENTATION. OTHERWISE THIS DOCUMENT IS NOT TO BE USED IN ANY SHAPE OR FORM TO CREATE DOCUMENTS, PARTS, OR EQUIPMENT.



10125 Carver Road Phone: (800) 441-7475
 Cincinnati, OH 45242 (513) 891-7474
www.paxtonproducts.com

Cut Sheet - Paxton PowerDry System
 SS Spyder, 3Hp, 208-230/460V/3/60HZ

DATE 3/8/2022

INVENTOR DWG No.

CS-PD200